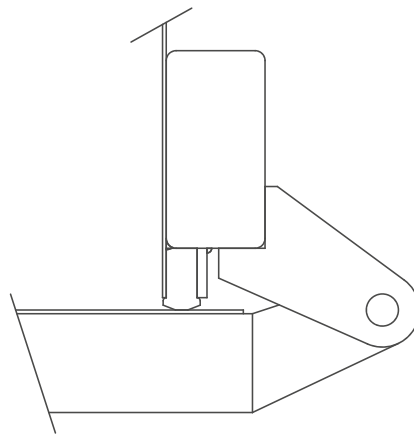


# Demountables

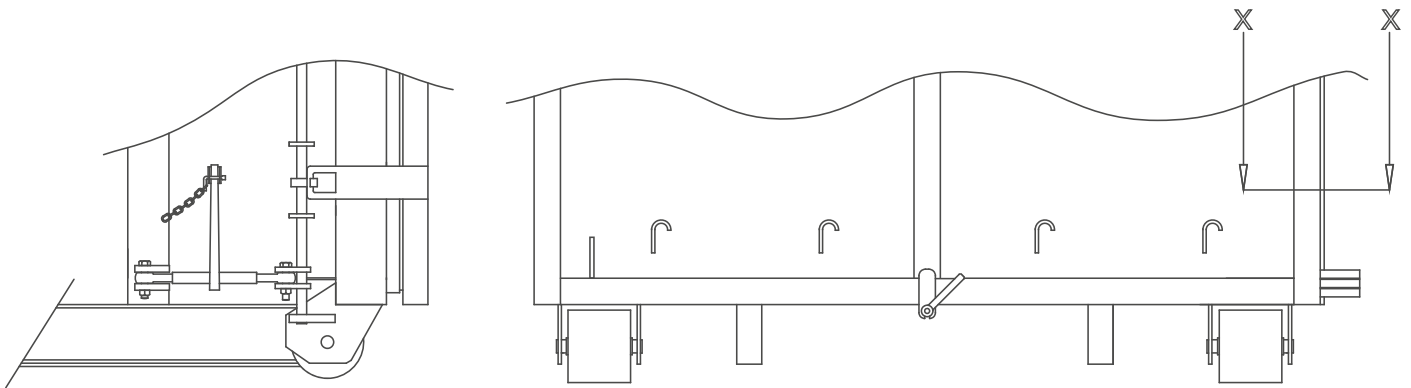
## Door Seal

The design specification of the demountable container must include the following:

- Fixed cross bar (goalpost)
- Ratchet locking
- Single or tipper tailgate door
- Fully welded (internally)



Section X-X



Sealed single door